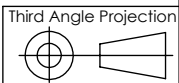


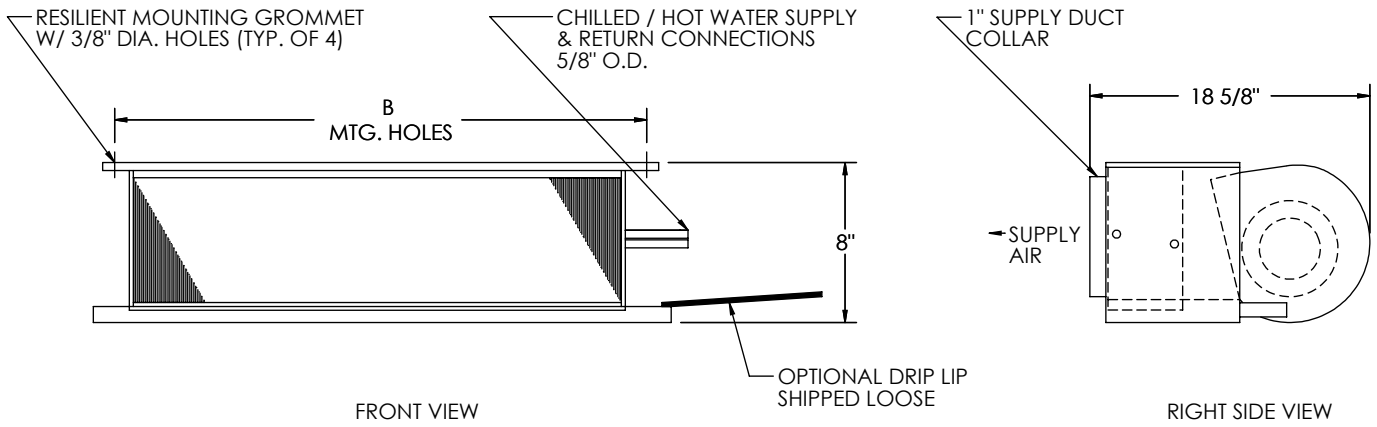
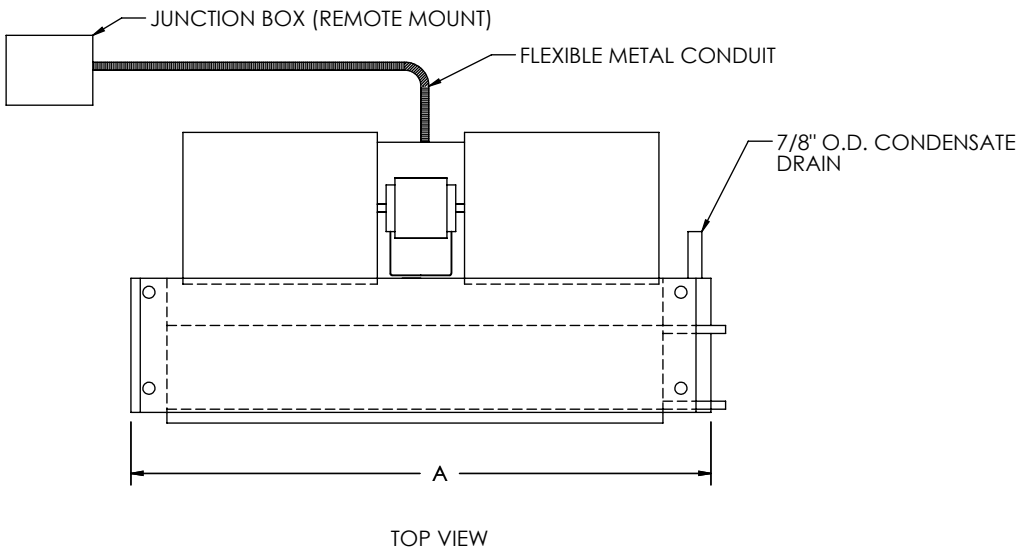
Ice-Air Standard Horizontal Concealed Fan Coil Unit								
Model		FCHC02	FCHC03	FCHC04	FCHC06	FCHC08	FCHC10	FCHC12
Dimensions	A	30	30	41 3/4	45 3/4	59 1/2	59 1/2	67 3/4
	B	18 5/8	18 5/8	28 5/8	32 5/8	48 3/8	48 3/8	56 1/4

- NOTE.S.
1. RH SHOWN, LH - OPPOSITE.
 2. ALL DIMENSIONS ARE $\pm 1/4$.
 3. PRODUCT SPECIFICATIONS ARE SUBJECT TO CHANGE WITHOUT NOTICE.
 4. DRIP LIP RECOMMENDED.



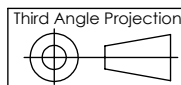
PROPRIETARY AND CONFIDENTIAL
 THIS DRAWING IS PROPERTY OF
ICE-AIR, LLC. IT MAY NOT BE
 REPRODUCED, DUPLICATED OR
 OTHERWISE COPIED WITHOUT
 PRIOR WRITTEN AUTHORIZATION.

MATERIAL:	ICE-AIR LLC. 80 HARTFORD AVENUE MOUNT VERNON, NY 10553		
WEIGHT (LBS):			
FINISH:			
UNLESS OTHERWISE SPECIFIED: DIMENSIONS ARE IN INCHES TOLERANCES: FRACTIONAL $\pm 1/32$ ANGULAR: MACH \pm ° BEND $\pm 1^\circ$ TWO PLACE DECIMAL $\pm .03$ THREE PLACE DECIMAL $\pm .015$	TITLE: STANDARD HORIZONTAL CONCEALED FAN COIL UNIT MODEL BY: _____ DATE: _____ DRAWING BY: VP DATE: 01/19/09	DWG. NO. SAB-8180	
SIZE A	SCALE: NONE DO NOT SCALE DRAWING	SHEET 1 OF 1	REV C



Ice-Air Thin Type Horizontal Concealed Fan Coil Unit					
Model		FCHCU02	FCHCU03	FCHCU04	FCHCU06
Dimensions	A	30	30	41 3/4	45 3/4
	B	18 3/4	22	33 3/4	36 1/8

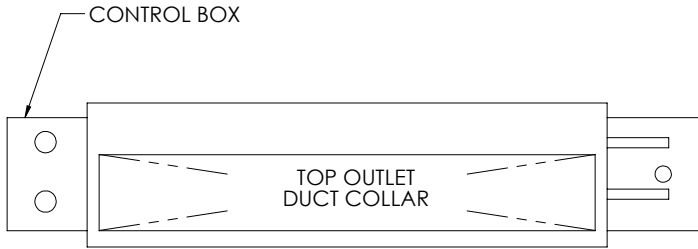
- NOTES.
1. RH SHOWN, LH - OPPOSITE.
 2. ALL DIMENSIONS ARE $\pm 1/4$.
 3. PRODUCT SPECIFICATIONS ARE SUBJECT TO CHANGE WITHOUT NOTICE.
 4. DRIP LIP RECOMMENDED.



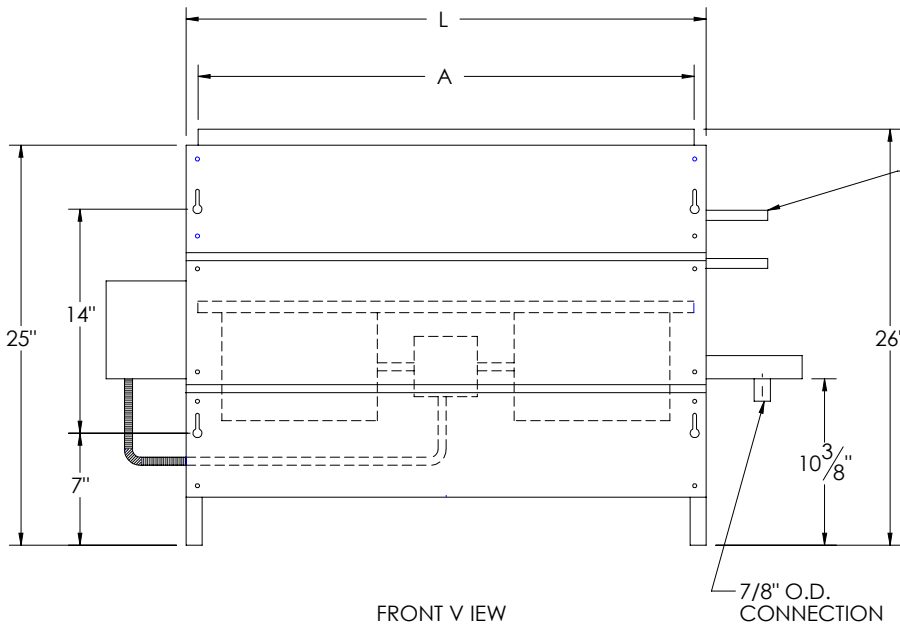
PROPRIETARY AND CONFIDENTIAL
 THIS DRAWING IS PROPERTY OF
ICE-AIR, LLC. IT MAY NOT BE
 REPRODUCED, DUPLICATED OR
 OTHERWISE COPIED WITHOUT
 PRIOR WRITTEN AUTHORIZATION.

MATERIAL:
WEIGHT (LBS):
FINISH:
UNLESS OTHERWISE SPECIFIED: DIMENSIONS ARE IN INCHES TOLERANCES: FRACTIONAL $\pm 1/32$ ANGULAR: MACH \pm ° BEND ± 1 ° TWO PLACE DECIMAL $\pm .03$ THREE PLACE DECIMAL $\pm .015$

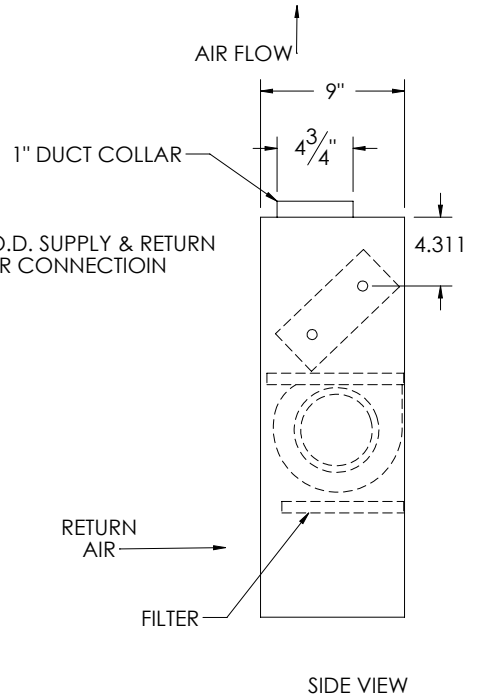
ICE-AIR LLC. 80 HARTFORD AVENUE MOUNT VERNON, NY 10553			
TITLE: THIN TYPE HORIZONTAL CONCEALED FAN COIL UNIT			
MODEL BY:	DATE:	DWG. NO.	
DRAWING BY: VP	DATE: 01/19/09	SAA-9002	
SIZE A	SCALE: NONE DO NOT SCALE DRAWING	SHEET 1 OF 1	REV C



TOP VIEW



FRONT VIEW



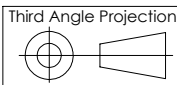
SIDE VIEW

Ice-Air Vertical Consealed Unit								
Model		FCVC02	FCVC03	FCVC04	FCVC06	FCVC08	FCVC10	FCVC12
Dimensions	L	24 3/4	24 3/4	32 1/2	36 1/2	48 3/8	48 3/8	60
	A	23 1/4	23 1/4	31	35	46 3/4	46 3/4	58 1/2

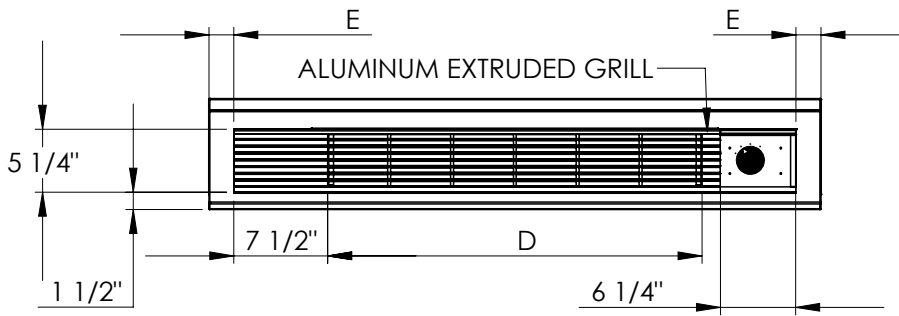
NOTES.

1. COIL CONNECTIONS ARE ALWAYS ON THE SIDE OPPOSITE THE CONTROL BOX.
2. ALL DUCT COLLAR DIMENSIONS ARE TO THE OUTSIDE OF THE COLLAR.
3. COIL CONNECTIONS ARE 5/8" O.D. SWEAT.

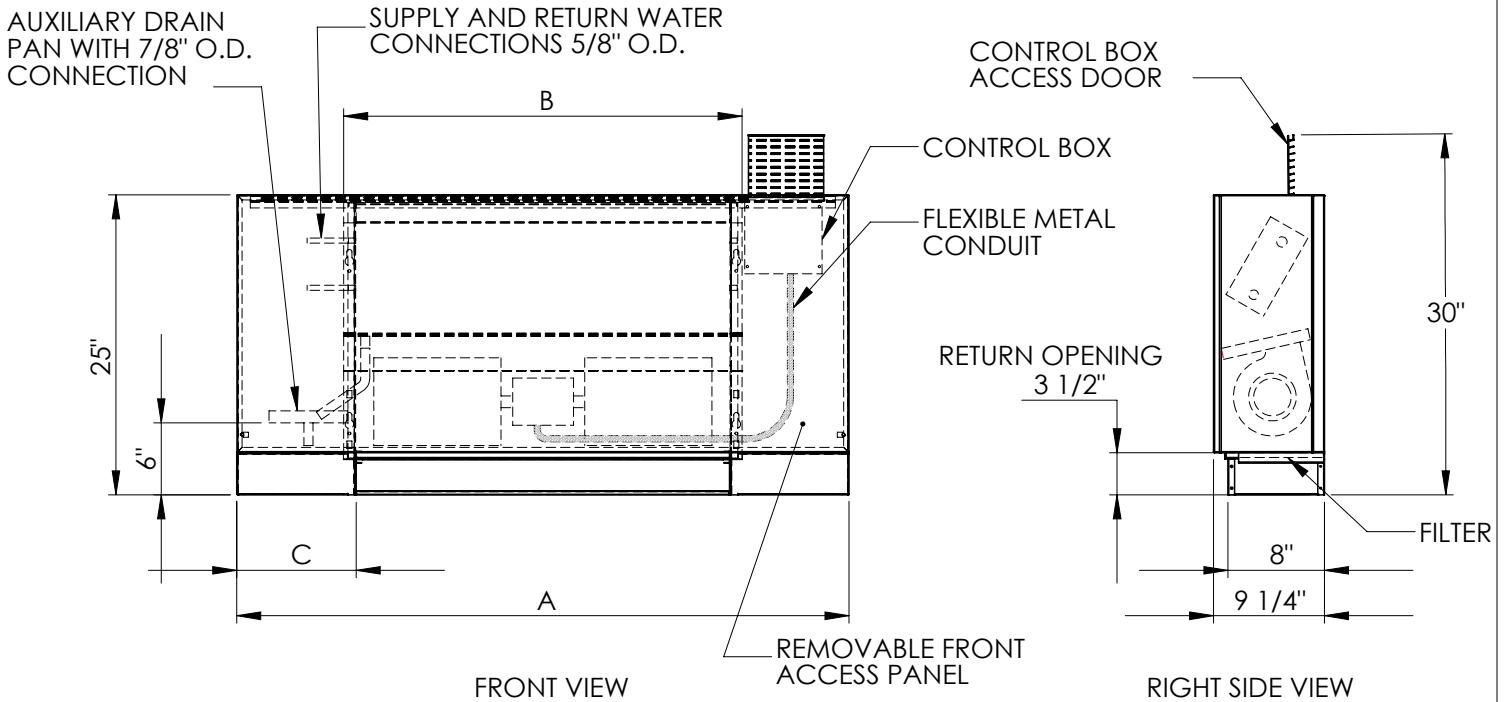
MATERIAL:	ICE-AIR LLC. 80 HARTFORD AVENUE MOUNT VERNON, NY 10553			
WEIGHT (LBS):				
FINISH:				
UNLESS OTHERWISE SPECIFIED: DIMENSIONS ARE IN INCHES TOLERANCES: FRACTIONAL ± 1/32 ANGULAR: MACH ± ° BEND ± 1° TWO PLACE DECIMAL ± .03 THREE PLACE DECIMAL ± .015	TITLE: VERTICAL CONSEALED UNIT		DWG. NO. APA-9006	
	MODEL BY:	DATE:	REV C	
	DRAWING BY: VP	DATE: 01/22/09	SHEET 1 OF 1	
	SIZE A	SCALE: NONE DO NOT SCALE DRAWING		



PROPRIETARY AND CONFIDENTIAL
 THIS DRAWING IS PROPERTY OF
ICE-AIR, LLC. IT MAY NOT BE
 REPRODUCED, DUPLICATED OR
 OTHERWISE COPIED WITHOUT
 PRIOR WRITTEN AUTHORIZATION.



TOP VIEW



Ice-Air Fan Coil Unit - Vertical								
Model	FCVE02	FCVE03	FCVE04	FCVE06	FCVE08	FCVE10	FCVE12	
Dimension	A	41	45	51	61	63	77	85
	B	25 1/2	25 1/2	33 1/4	37 1/4	48 7/8	48 7/8	60 5/8
	C	8 7/8	10 7/8	10	13	8	15	13 1/4
	D	23 1/2	23 1/2	31 1/4	35 1/4	47	47	58 1/2
	E	1	3	2	5	1/4	7 1/4	5 3/8

NOTES.

1. ALL DIMENSIONS ARE $\pm 1/4"$
2. RH SHOWN, LH OPPOSITE.
3. DRAWING IS PROVIDED FOR REFERENCE ONLY. PRODUCT SPECIFICATIONS ARE SUBJECT TO CHANGE WITHOUT NOTICE.

MATERIAL:	ICE-AIR LLC. 80 HARTFORD AVENUE MOUNT VERNON, NY 10553		
WEIGHT (LBS):			
FINISH: N/A	TITLE: VERTICAL EXPOSED FAN COIL UNIT		
UNLESS OTHERWISE SPECIFIED: DIMENSIONS ARE IN INCHES TOLERANCES: FRACTIONAL $\pm 1/32$ ANGULAR: MACH \pm ° BEND $\pm 1^\circ$ TWO PLACE DECIMAL $\pm .03$ THREE PLACE DECIMAL $\pm .015$	MODEL BY: VP	DATE: 01/12/09	DWG. NO.
	DRAWING BY:	DATE:	SAB-8161
SIZE A	SCALE: NONE DO NOT SCALE DRAWING		REV B