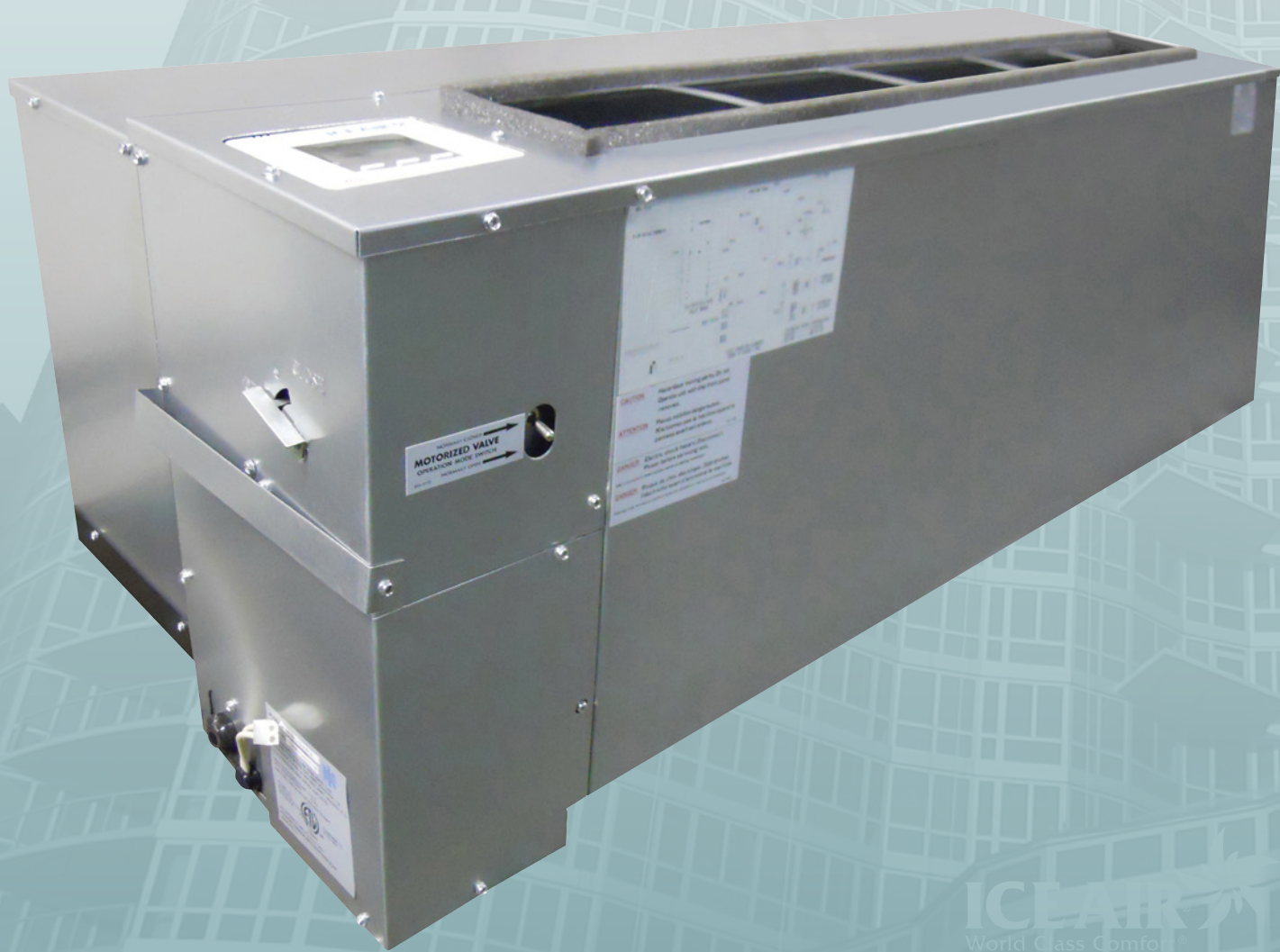


Installation Manual

RSNU

**Durable
Ultra-High
Efficiency AC**

Packaged Terminal Air Conditioner
(PTAC) Unit for New Construction





Contents

- General/Safety Information** 2
- Overview/Application Note/Inspection** 3
- General Specifications** 3
- Before You Begin** 5-6
- Installation**
 - Masonry Thick Wall Construction
 - Sleeve Installation 7
 - Panel/Window Construction
 - Sleeve Installation 8
 - Panel/Window Wall Construction Sleeve
 - Installation with Field-Supplied Louvers.. 8
 - Installing the Louver (Optional)..... 9
 - Installing the Hydronic Heating
 - Assembly (Optional)..... 10
 - Installing the Chassis..... 11
 - Installing the Enclosure and
 - Enclosure Front Cover..... 12
 - Installing the Lateral Duct Kit (Optional) 13
- General Wiring Diagram** 14
- Product Nomenclature**..... 15
- Warranty/Contact Information** 16



Thank you for purchasing and installing the Ice Air PTAC (Package Terminal Air Conditioner). Ice Air is a leading supplier of PTACs, offering replacement air conditioners and heat pumps that are interchangeable with units no longer available from the original manufacturer. Our units are engineered to fit perfectly within the existing wall sleeve, thereby reducing installation time and expense.

This is a general guide only, and should be treated as such. The information contained in this manual, including but not limited to installation instructions, unit dimensions, and physical/performance data, may vary by project and unit configuration. Ice Air will not be held liable for any information contained in this manual. For questions about installation and unit performance, please contact your local Ice Air representative. Installation and start-up should always be performed by a trained professional.

ATTENTION INSTALLING PROFESSIONAL

Read this manual and familiarize yourself with the specific items and safety warnings that must be adhered to before attempting to install or service this unit. Precautions listed are intended as supplemental to existing practices. As a professional, you have an obligation to know the product better than the customer. This includes all safety precautions and related items. It is your responsibility to install the product safely and to know it well enough to be able to instruct a customer in its safe use as required.

RECOGNIZE THIS SYMBOL AS A SAFETY PRECAUTION.

-  **WARNING:** Ice Air will not be responsible for any injury or property damage arising from improper service or service procedures. If you install or perform service on this unit, you assume responsibility for any personal injury or property damage which may result. Many jurisdictions require a license to install or service heating and air conditioning equipment.
-  **WARNING, HIGH VOLTAGE:** Disconnect all power before servicing or installing unit. Multiple power sources may be present. Failure to do so may cause property damage, personal injury or death.

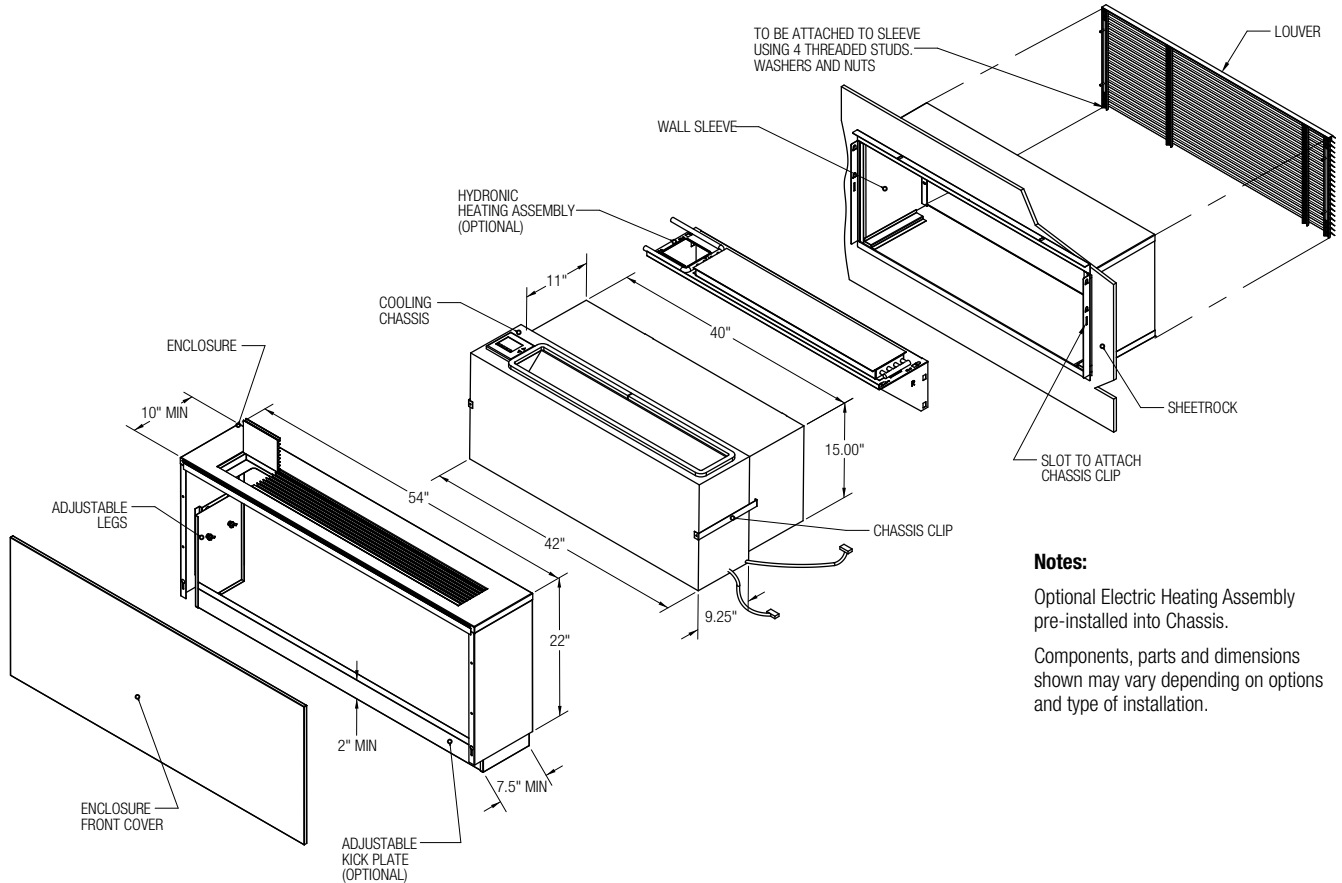
To ensure that the unit operates safely and efficiently, it must be installed according to these installation instructions and all local codes and ordinances utilizing the best standards and practices at the time of installation or, in their absence, with the latest edition of the National Electric Code. The proper installation of this unit is described in the following sections. Following the steps in the order presented should ensure proper installation.

Overview

Installing the Ice Air PTAC unit involves four main components and various accessory components.

Application Note

It is important for air conditioning systems to be properly sized for each application in order to achieve desired temperature and humidity levels. It is highly recommended that a professional engineer match the PTAC units you are about to install with the building structure and climate.



Notes:

Optional Electric Heating Assembly pre-installed into Chassis.

Components, parts and dimensions shown may vary depending on options and type of installation.

Inspection

1. Upon receipt of the equipment, carefully check the shipment again on the Bill of Lading.
2. Make sure all units have been received.
3. Inspect the packaging for any damage.
4. Ensure that any damage is noted on the delivering carrier's Bill of Lading.

NOTE: It is the responsibility of the purchaser to file all necessary claims with the delivering carrier in a timely fashion. Many carriers have a 15 day notice period from receipt of delivery to file any and all claims.



General Specifications

Model		RSNU07			RSNU09			RSNU13			RSNU16		RSNU18	
Voltage	Voltage	115	208/230	277	115	208/230	277	115	208/230	277	208/230	277	208/230	277
Cooling Data	Total Capacity (Btu/hr) ¹	7,700			9,700			12,800			14,400		16,400	
	Sensible Capacity (Btu/hr) ¹	5,390			6,790			8,960			10,080		11,480	
	EER ¹	12.0			11.5			10.8			10.5		10.0	
	Current (Amps)	5.6	3.1	2.3	7.3	4.1	3.0	10.3	5.7	4.3	6.6	5.0	7.9	5.9
	Power (Watts)	642			843			1,185			1,371		1,640	
Hydronic Heat Data	Capacity, Hot Water (Btu/hr) ²	16,500			16,500			16,500			19,400		19,400	
	Capacity, Hot Water (Btu/hr) ²	18,700			18,700			18,700			20,200		20,200	
MCA/MOCP	MCA	7.0	3.9	2.9	9.1	5.1	3.8	12.9	7.1	5.4	8.3	6.1	9.9	7.4
	MOCP	15	15	15	15	15	15	20	15	15	15	15	15	15
Airflow Data	Airflow - High Speed (CFM)	380			380			400			450		540	
	Airflow - Low Speed (CFM)	300			300			350			380		450	
	Outside Airflow (CFM)	60			60			60			60		60	
	X Outside Airflow option (CFM)	110			110			110			110		110	
Physical Data	Chassis Dimensions (W x L x H)	42.00 x 16.75 x 20.25												
	Net Weight (lbs)	130			134			134			134		137	
	Ship Weight (lbs)	141			145			145			145		148	

Specification Notes:

1. Cooling capacity rated @ EAT = 80/67 °F db/wb; Ambient = 95 °F db
2. Hot water heating capacity rated @ EAT = 65 °F, EWT=200 °F, Flow Rate = 2 GPM
3. Steam heating capacity rated @ EAT=65 °F, Inlet Steam Pressure = 2 PSIG

The performance data shown above is based on standard equipment under the provided design conditions. Performance may vary depending on equipment configuration and project site conditions.

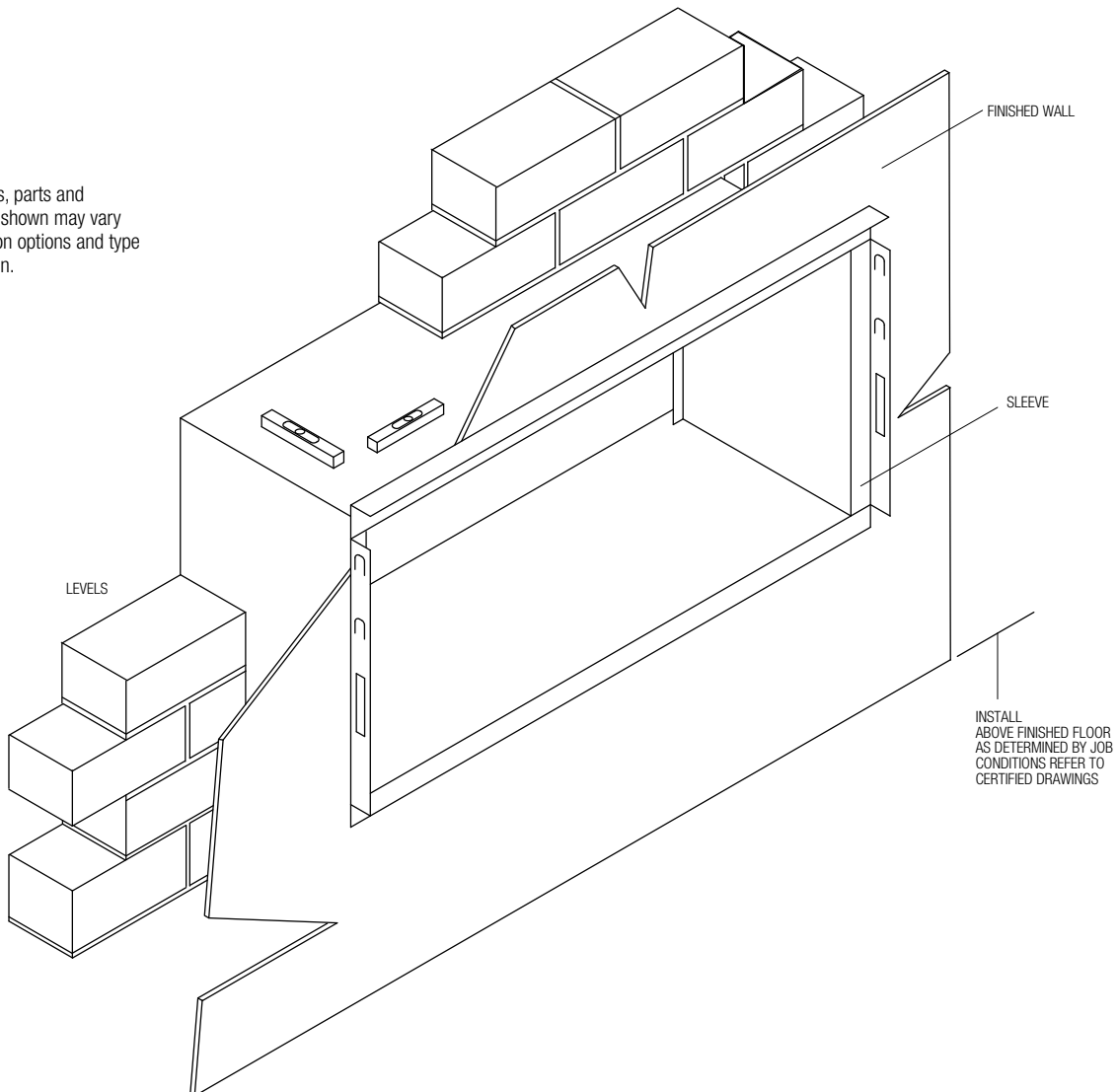
Before You Begin

1. Locate the unit where it can evenly distribute air throughout the room without obstructions. Units should be installed no closer than 12" apart when two units are side by side. A vertical clearance of 60" should be maintained between units.
2. Ensure the wall is structurally sound to support the weight of the unit.
3. Ensure adequate drainage is available.
4. Follow all applicable codes for installation.
5. Verify the amperage of the dedicated electrical service to the unit is correct and the unit can reach the power supply.
6. Position the unit so the air filter can be removed easily and required maintenance can be performed without interference.
7. A minimum obstructed distance of 36" should be kept around the unit.

IMPORTANT: To avoid permanent damage to the unit, DO NOT operate during construction in an open space or as a supplemental heating and cooling source during construction.

Note:

Components, parts and dimensions shown may vary depending on options and type of installation.



IMPORTANT: For installations in walls deeper than 13-7/8", consult your Ice Air Sales Representative to prevent problems with rain water, condensate drainage and intake/discharge air.

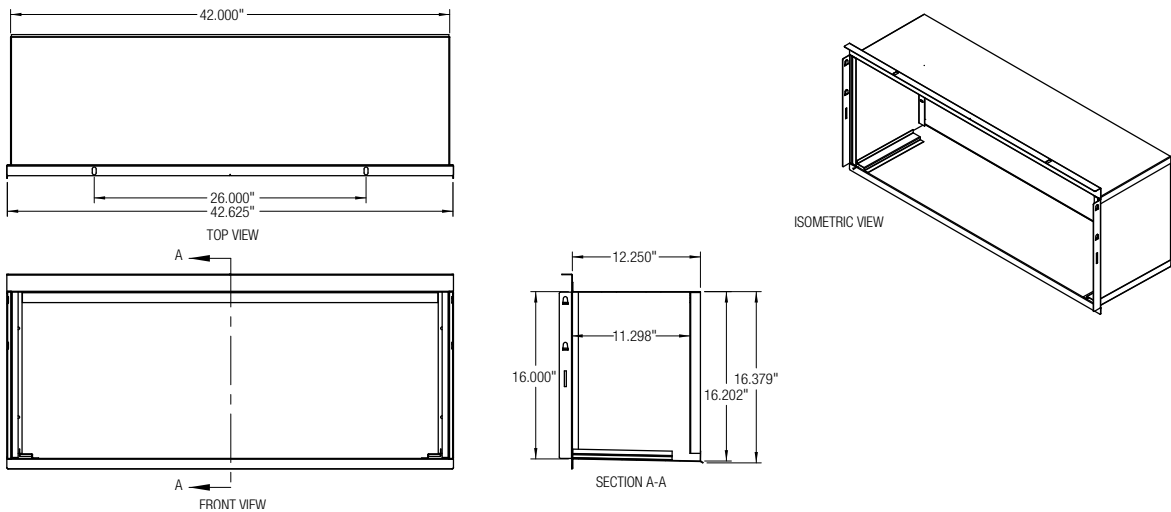
1. Once you've determined the proper location, create a wall opening to install the wall sleeve measuring a minimum of 16 3/4" high x 42 3/8" wide.

2. Before installing the unit, check the wall opening to be sure the wall sleeve will slide into the opening unobstructed.
3. For masonry walls, a lintel must be used to provide support over each opening.

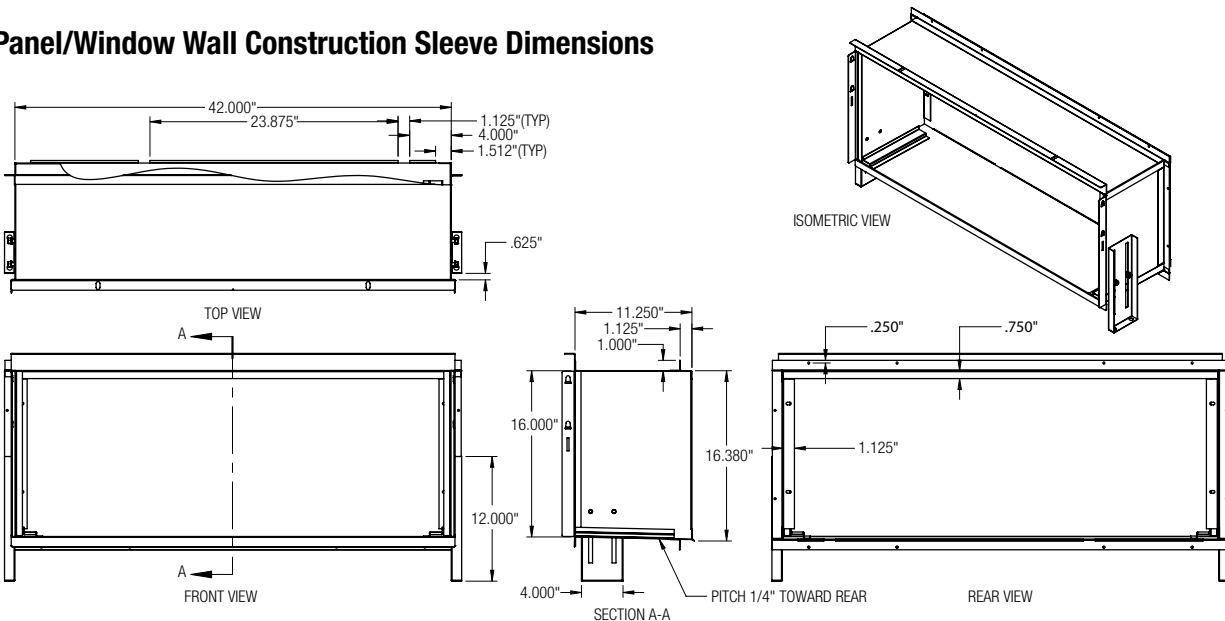
NOTE: Installer must determine and supply the mounting bolts and/ or screws to attach the wall sleeve to the sides of the wall opening. Make sure the wall opening is adequate for strong support.



Masonry Wall Construction Sleeve Dimensions



Panel/Window Wall Construction Sleeve Dimensions



Installation

Masonry Thick Wall Construction Sleeve Installation

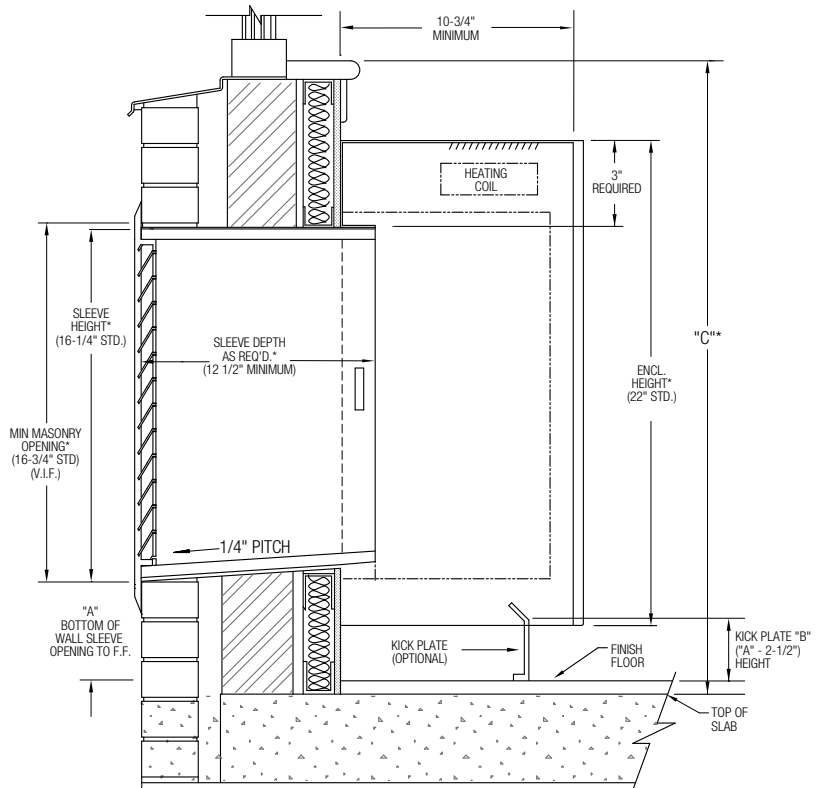
Typical installation for masonry walls is shown in drawing below.

IMPORTANT: Depending on the size and style of the louver chosen, you should determine whether it can be installed before or after the sleeve installation.

1. Clean the opening of all debris that may interfere with installation.
2. Be sure the unit's center of gravity falls within the load bearing surface of the wall. If the center of gravity is not within the load bearing surface, then additional support such as wood, metal or concrete must be provided in the field.
3. Place a thin pad of soft mortar on the bottom of the opening.

IMPORTANT: Make certain the wall sleeve protrudes into the room a minimum of 1 1/8" beyond the finished wall surface to accommodate the heat section and room cabinet. Be sure to recess the wall sleeve enough to accommodate outside louver. This recess is required for stamped louvers and for architectural louvers. The louver should be flush to exterior surface when completed.

4. If a brickstop is employed, slide the wall sleeve into the wall until the brickstop contacts the exterior bricks. If a brickstop is not used, slide wall sleeve into the wall so it extends into the room a minimum of 1 1/8" beyond the finished interior wall surface. The wall sleeve should also be recessed enough to accommodate the outside louver.
5. After mortar has dried, remove the



Notes

1. Wall Sleeve Dimension: (RSNU shown) = 42" w x 16-1/4" h, minimum Wall Sleeve depth: 12-1/4"
2. Enclosure Dimension: Typical 10"d x 22"h x 54"w
3. Kick Plate = B. Varies ("A" - 2 1/2") with ±1" adjustment.
4. 3" above top of Wall Sleeve on roomside must be kept clear for mounting of heating coil and Enclosure.
5. When "A," bottom of Wall Sleeve to finished floor, measures between 2-3/4" to 4-1/2", this necessitates ordering a front intake Enclosure and Chassis as opposed to a bottom intake.
6. Dimensions "A" and "C," provided for each floor, determine Enclosure height.

* Architect to provide details for each floor.

masonry support from wall sleeve.

NOTE: The wall sleeve is NOT intended to replace the lintel.

6. Level wall sleeve in all directions and anchor with appropriate fasteners. It may be necessary to drill additional holes in the wall sleeve to firmly secure the unit. DO NOT drill holes in base of the wall sleeve. Use shims between the wall and the wall sleeve to prevent wall sleeve distortion during anchoring.
7. Caulk wall sleeve (from inside the

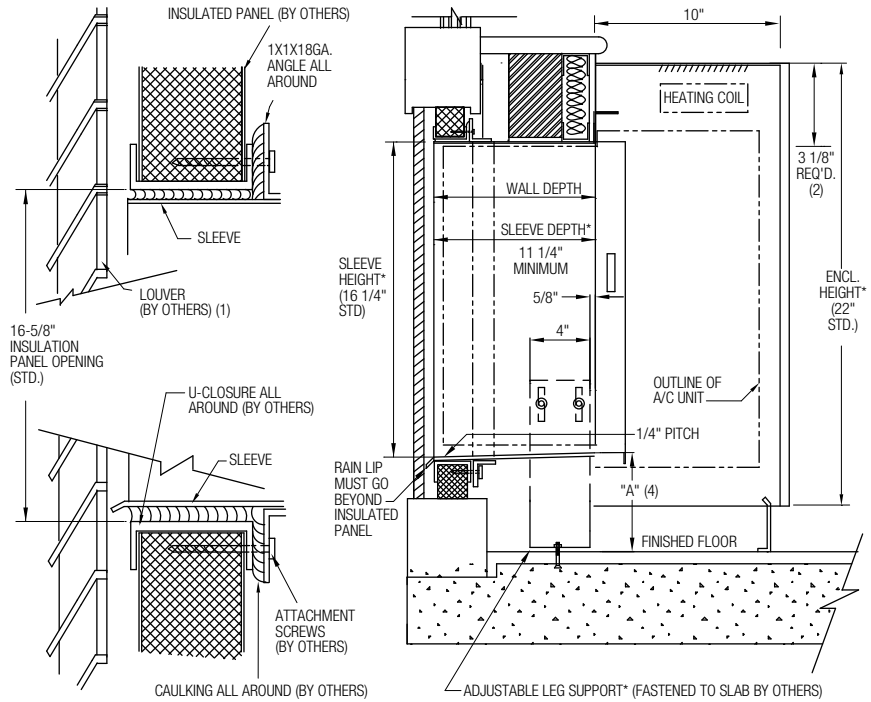
building) to wall opening on both inside and outside perimeter using resilient, non-hardening caulk such as silicone. DO NOT plug the weep holes.

Panel/Window Wall Construction Sleeve Installation

Standard wall sleeves are designed to be easily installed. For panel wall and thin wall construction, the (optional) top angle should be used and the wall sleeve supplied with a turned down flange.

IMPORTANT: Depending on the size and style of the louver chosen, you should determine whether it can be installed before or after the sleeve installation.

1. Clean the opening of all debris that may interfere with installation.
2. Recess the wall opening so that the louver is flush with the exterior of the building. Locate the center of gravity (approximately 10 3/4" from rear face of standard wall sleeve). If wall sleeve has been installed into a thick wall, make certain that the wall sleeve protrudes into the room a minimum of 1 1/8" beyond finished wall surface to accommodate heat section and room cabinet. If a subbase is not used, field support (metal, wood or concrete) must be provided to balance the center of gravity.
3. Level wall sleeve in all directions and anchor with appropriate fasteners. Use holes provided or drill additional holes as required to secure firmly. DO NOT drill holes in base of the wall sleeve. Use shims between wall and wall sleeve to prevent wall sleeve distortion during anchoring.
4. Caulk wall sleeve (from inside the building) to wall opening on both inside and outside perimeter. DO NOT plug the weep holes.



Notes

1. Provided louver will have an area of 60% minimum free air
2. 3 1/8" above top of sleeve on roomside must be kept clear for mounting of heating coil and enclosure.
3. Wall sleeve dimension is 16 1/4" H x 42" W (RSNU shown)
4. When bottom of sleeve to finished floor ("a") measures between 2 3/4" to 4 1/2", this necessitates ordering a front intake enclosure and chassis as opposed to a bottom intake.

* Architect to provide details for each floor.

Panel/Window Wall Construction Sleeve Installation with Field-Supplied Louvers

Installation of wall sleeves with continuous louvers is very similar to that of applications with factory furnished louvers.

IMPORTANT: Louvers supplied by other manufacturers must have 70% free area or a pressure drop not exceeding 0.05 in. w.g. (12.45 Pa) at 300 fpm (1.524 m/sec) face velocity, and a blade design that will not cause recirculation of air. Ice Air does not warrant the rain and water leakage resistance of its equipment when used with louvers supplied by others. All louvers by other manufacturers must be approved by qualified installer prior to installation.

Installing the Louver (Optional)

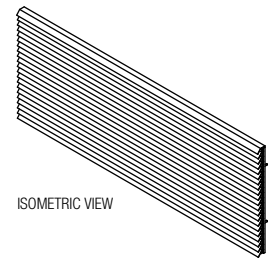
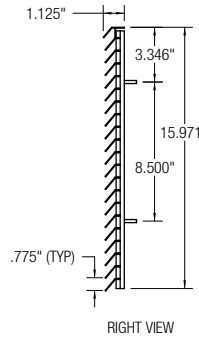
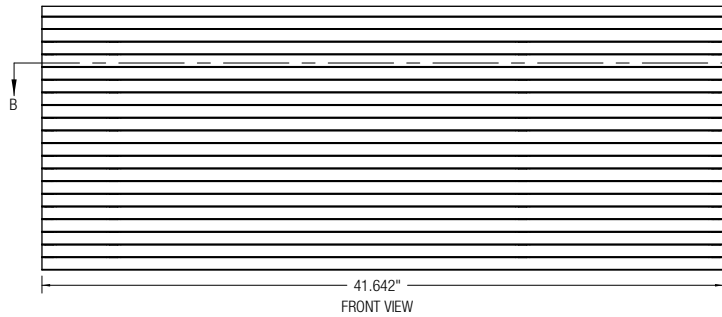
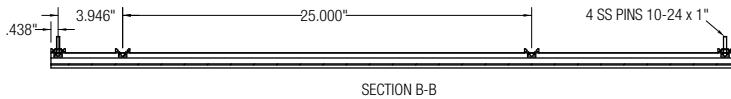
The louver directs condenser airflow and provides a protective barrier for the outdoor coil.



IMPORTANT: Depending on the size and style of the louver chosen, you should determine whether it can be installed before or after the sleeve installation.

1. Install four threaded studs into threaded openings on the inside face of the louver.
2. Install a washer and one hex nut to the end of each stud.
3. Manipulate the louver out through rear wall sleeve opening. Keep a firm grip on louver to prevent causing possible injury or property damage.

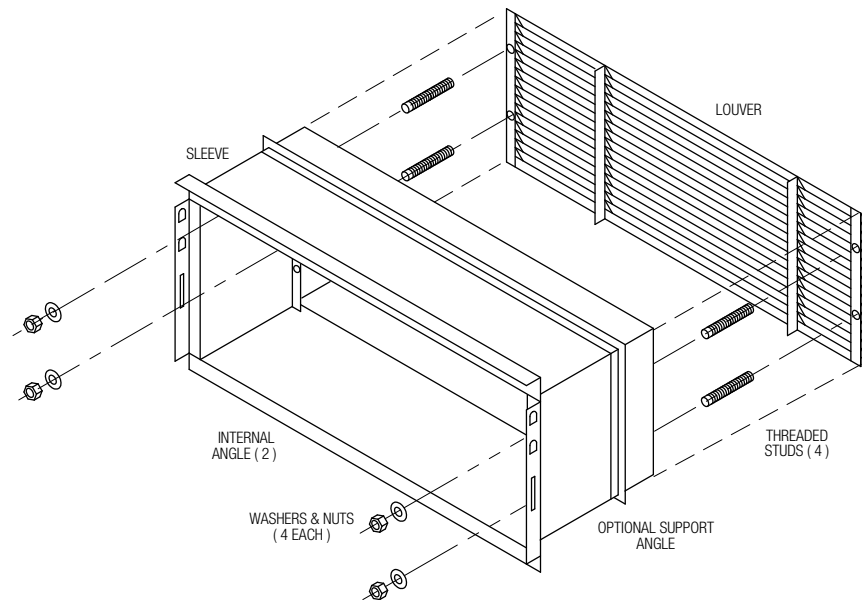
4. Attach the louver to the wall sleeve by aligning and inserting the hex nut threaded onto the studs through the holes in the wall sleeve.
5. Secure the louver to the wall sleeve by tightening the hex nut and adding and tightening an additional hex nut.



Notes:

Components, parts and dimensions shown may vary depending on options and type of installation.

Threaded studs must be slidable about 2" up and down



Installing the Hydronic Heating Assembly (Optional)



Note:

Components, parts and dimensions shown may vary depending on options and type of installation.

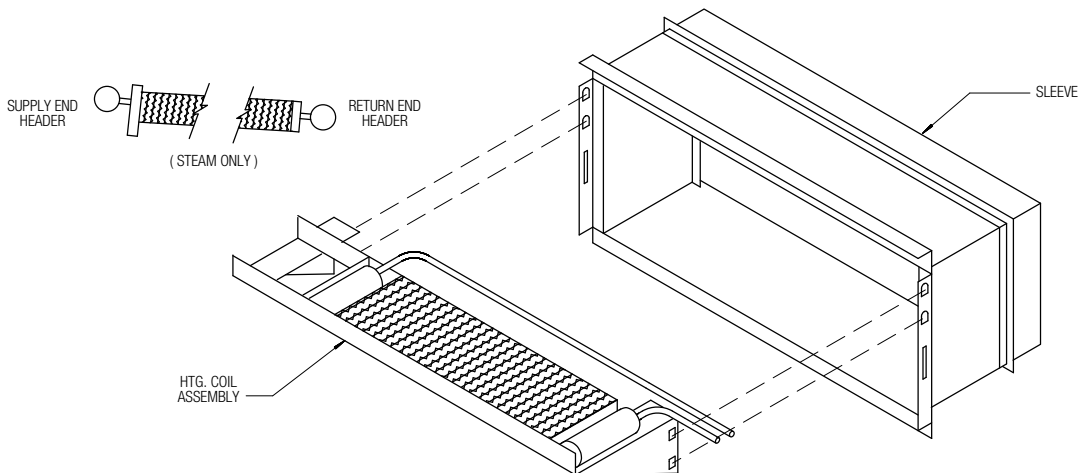
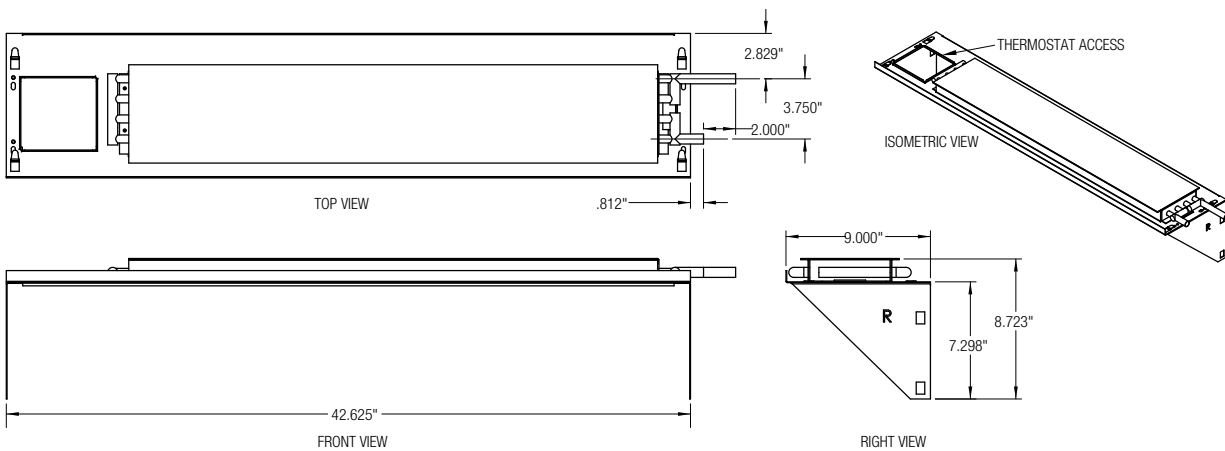
1. Before assembling and connecting the hydronic heating assembly to the cooling chassis, remove it from its shipping carton and inspect the radiating fins for damage.
2. Connect the assembly to chassis by aligning the “snap in” tabs to the cradle holding the heating coil and piping.
3. Move the entire chassis unit into proximity with the wall sleeve.
4. With piping exposed (left or right depending on installation) make your connections.
5. Install your motorized or manual valve to the pipe for future servicing and control.
6. Ice Air heating coils are tested to 300 PSI. Test your joints according to local code requirements.

NOTES:

The optional electronic heating assembly is pre-installed in chassis.

To have proper pitch in coil be certain that higher coil end plate is the supply end (see drawing).

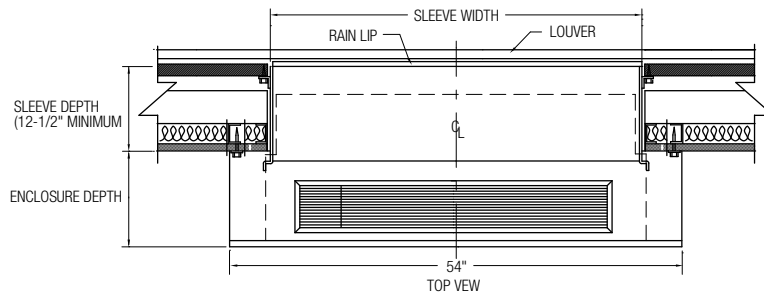
Right hand unit shown; left hand unit to have tubes facing in opposite direction.



Installing the Chassis





1. Remove the cabinet front from the chassis by pulling it out from the bottom to release it, then lift it up to clear the rail along the chassis top.
2. Insert the chassis into the wall sleeve by sliding into the wall sleeve until the chassis flanges contact the front edge of the wall sleeve.
3. Secure the chassis to the wall sleeve using two screws on each side of the chassis to ensure a proper seal between the chassis and the wall sleeve.



ELECTRIC OUTLET BY ELECTRICAL CONTRACTOR 115V, 15A OR 208V, 15A AS REQUIRED.

RECOMMENDED LOCATION OF ELECTRICAL OULET

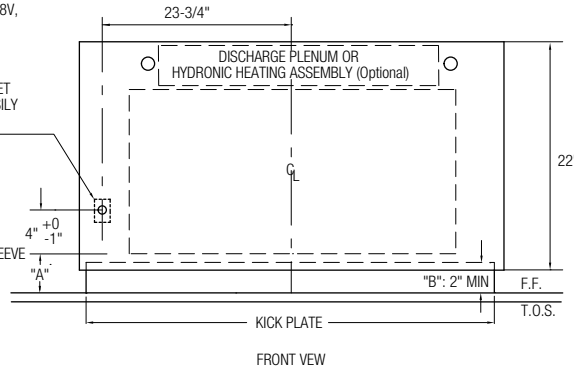
INSTALL THE ELECTRICAL OUTLET WHERE THE END-USER CAN EASILY CONNECT/DISCONNECT THE POWER CORD PLUG.

	
NEMA 5-15	NEMA 6-15

4" +0
-1"

BOTTOM OF SLEEVE

"A"



Notes:

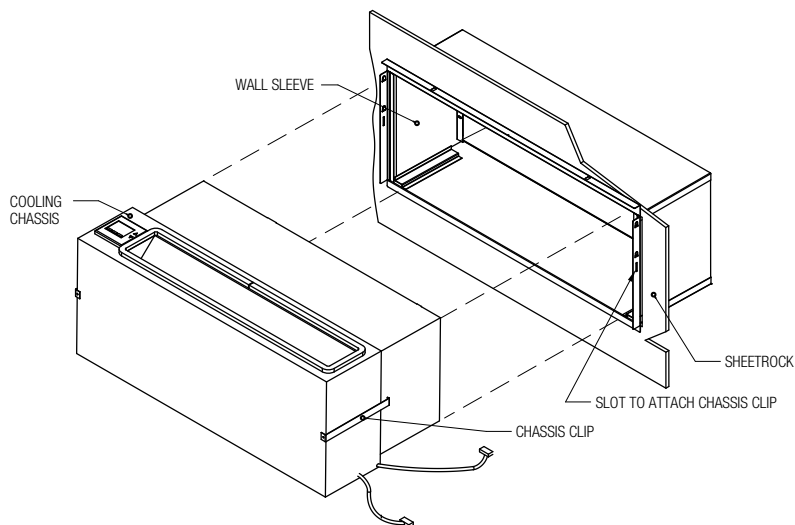
Components, parts and dimensions shown may vary depending on options and type of installation.

"A" is bottom of sleeve to finished floor.

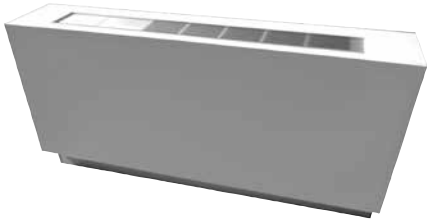
"B" is kick plate height with +/- 1" adj.

"B" = "a" - 2 1/2"

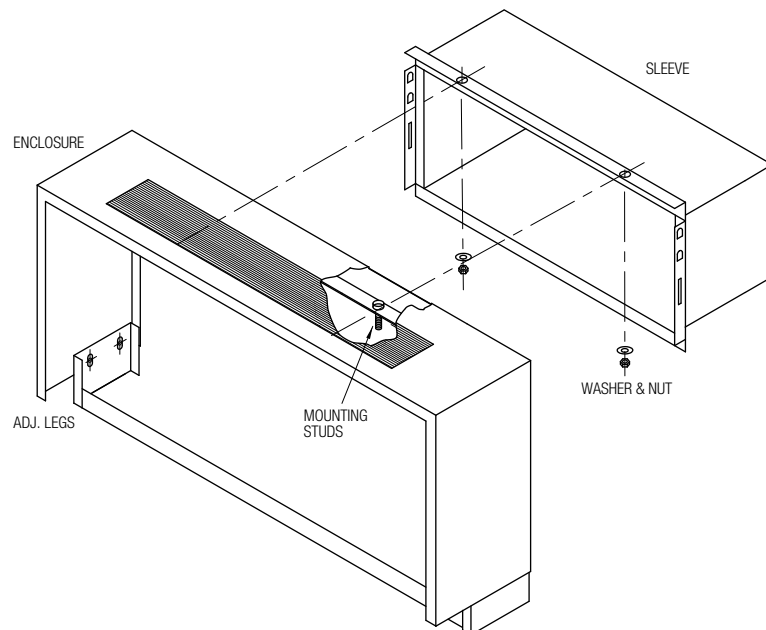
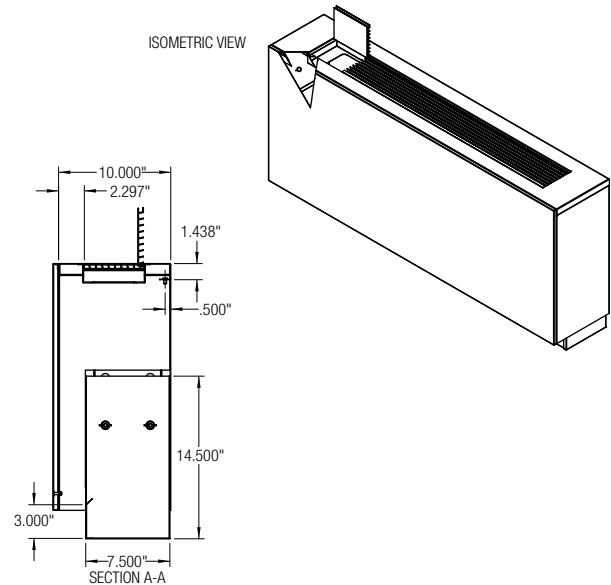
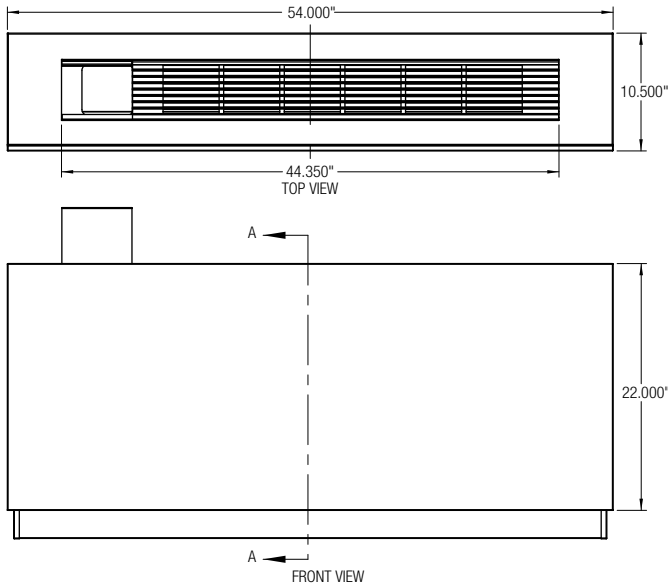
When "A", bottom of sleeve to finished floor, measures between 2-3/4" to 4-1/2", it is advised to order a front intake enclosure and chassis as opposed to a regular bottom intake.



Installing the Enclosure and Enclosure Front Cover



1. Align the enclosure over the sleeve.
2. While resting the enclosure in position, measure the "A" dimension between the bottom of its side panels and the floor.
3. Adjust the legs and secure them to the enclosure.
4. Attach the enclosure front cover to the cooling chassis using screws in the holes of chassis brackets and the enclosure front cover.
5. Align the enclosure front cover with the enclosure assembly and secure.



Due to Ice Air's ongoing product development programs, the information in this document is subject to change without notice.

Installing Lateral Duct Kit (Optional)

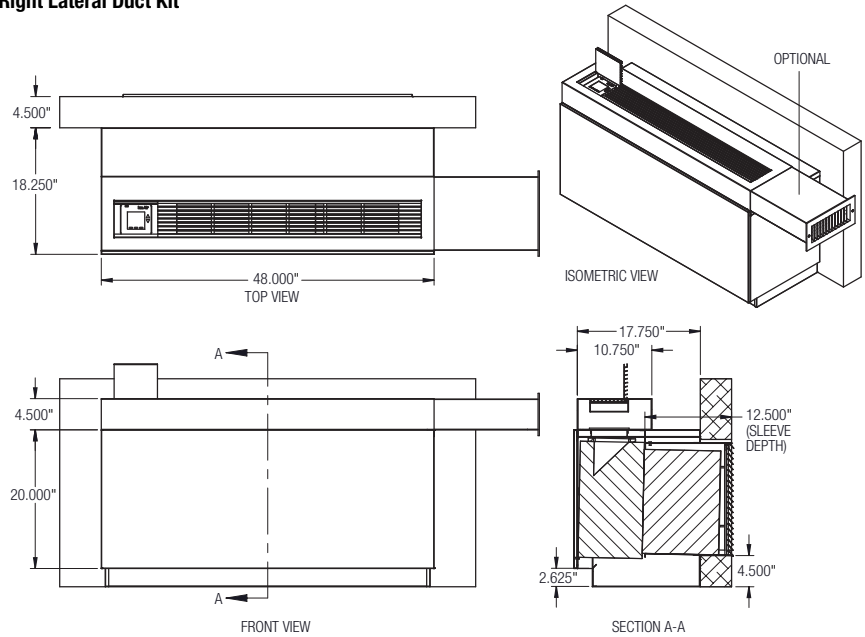
The lateral duct kit allows the air from one PTAC unit to be shared by an adjacent room. Called Air Span™, the kit mounts to the top of the unit and can be configured for either right or left discharge as shown in drawings at right. The amount of air diverted to the second room is adjustable.

1. The kit consists of a main duct for the installed room, an extension duct to reach the adjoining room, and terminal duct.
2. Drill mounting holes on both sides of the wall sleeve. The minimum required clearance distance between the wall sleeve and floor wall is 3". The minimum clearance between the wall sleeve and adjacent (perpendicular) walls is 0".
3. If the distance between wall sleeve and adjacent wall will be at or near the minimum clearance distance, mount these kits on the sleeve before installing the sleeve in the wall.

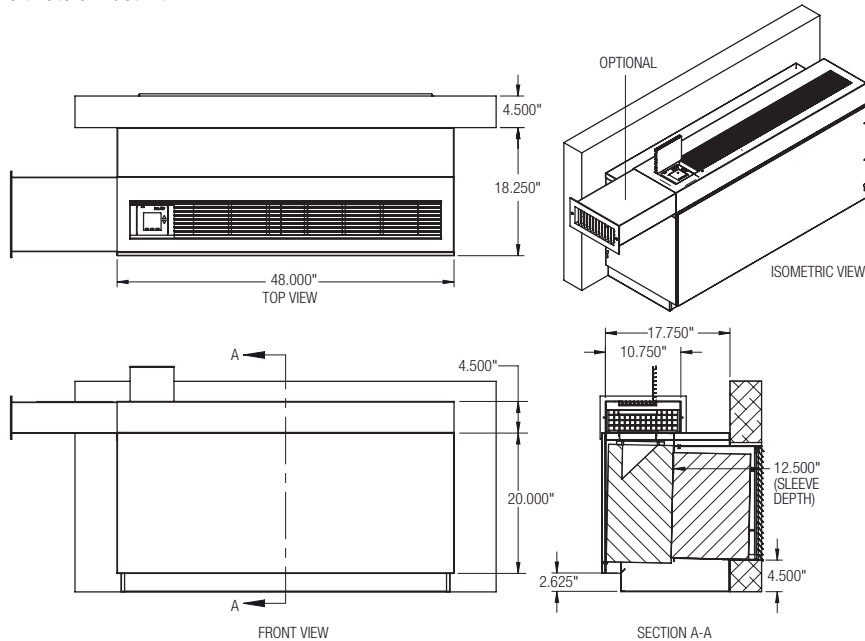
Note:

If the thermostat will be mounted in the enclosure tray, installer must drill a hole through the enclosure frame. This will allow access for wiring harness to pass through enclosure frame to mounting tray. Drilled hole should be located directly below mounting tray where thermostat is mounted. Be sure drilled holes have no sharp edges as they could cause damage to wiring harness. Drilled hole is not required for wall mounted thermostat.

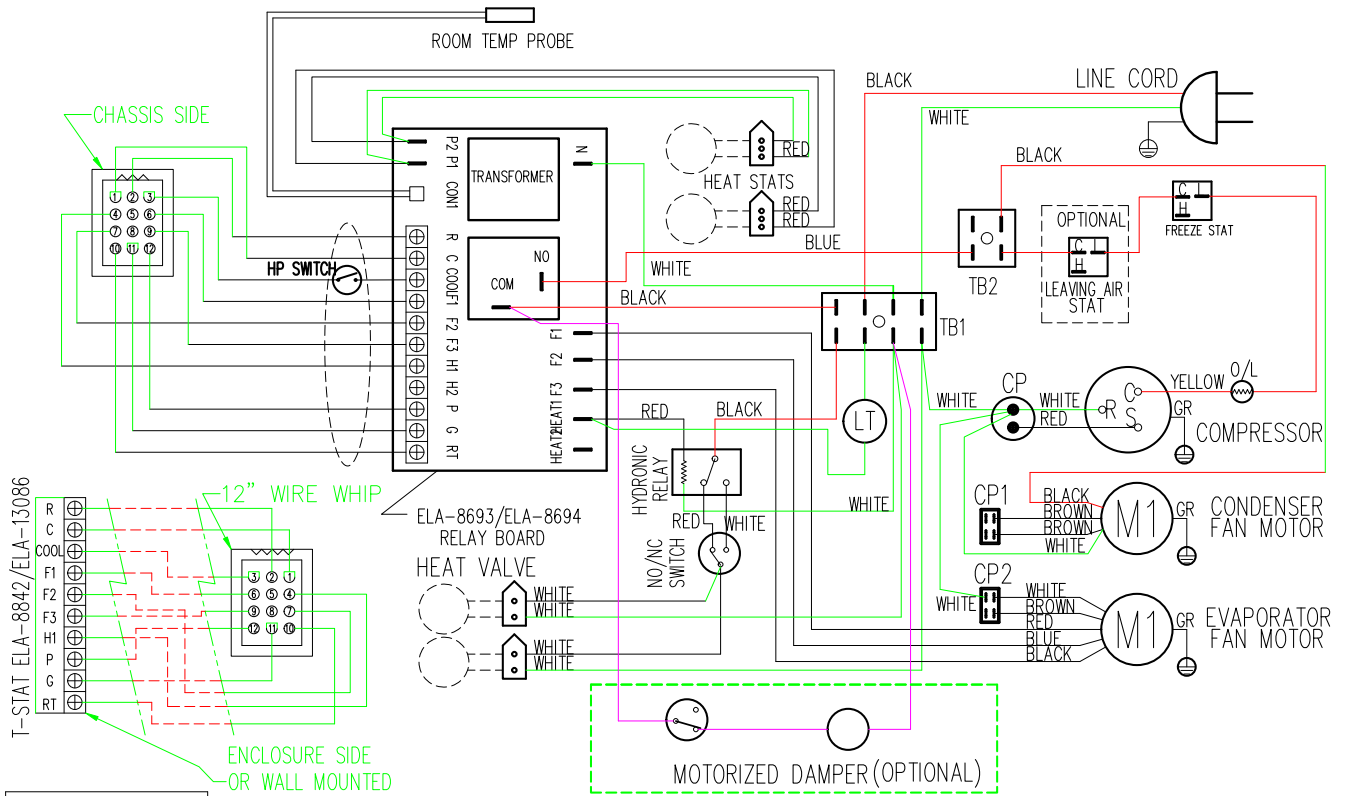
Right Lateral Duct Kit



Left Lateral Duct Kit



General Wiring Diagram



T-STAT ELA-8842/ELA-13086

ENCLOSURE SIDE OR WALL MOUNTED

WIRE CHART	
1	BLK COMMON
2	RED 24VAC
3	YEL COOLING
4	WHT HEAT
5	- NOT IN USE
6	GRN LO-COOL
7	BLU ME-COOL
8	- NOT IN USE
9	ORN HI-COOL
10	GRY ROOM TEMP
11	PUR G
12	BRN PIPE SENSOR

EVAPORATOR SPEEDS CONFIGURATION:
 COOLING----- HI. OR MED
 HEATING----- MED. OR LOW

FIELD CONNECTED ELEMENTS
 SHOWN IN DASHED LINES



Product Nomenclature

Model Selection **8** **RSNU** **07** **AC** **PP** **A** **A** **X** **15** **L** **Y** **Y** **1** **15** **L** **Y** **Y** **B** **A**

1 2 3 4 5 6 7 8 9 10 11 12 13 14 15 16 17 18 19

└──────────┘
Primary Part

Item #	Matrix Name	Code String Value	Description
1	POWER	8	208-230V/1Ph/60Hz
		7	265-277V/1Ph/60Hz
		5	115V/1Ph/60Hz
2	UNIT TYPE	RSNU	New Construction PTAC
3	CAPACITY (BTUH)	07	7,000 Nominal (1/2-Ton)
		09	9,000 Nominal (3/4-Ton)
		13	13,000 Nominal (1-Ton)
		16	16,000 Nominal (1-1/4-Tons)
4	MODE	18	18,000 Nominal (1-1/2-Tons)
		AC	Cooling Chassis Only
		CE	Cooling Chassis with Electric Heat
		CH	Cooling Chassis with Hot Water Heating Assembly
		CS	Cooling Chassis with Steam Heating Assembly
5	MOTOR	NG	Cooling Chassis with Gas Heat (CO Detector included)
		HP	Heat Pump Chassis
		HE	Heat Pump Chassis with Electric Heat
		PP	PSC Motors
		PE	PSC Evaporator Motor, EC Condenser Motor
		EP	EC Evaporator Motor, PSC Condenser Motor
6	CONTROLS	EE	EC Motors
		LN	Low Noise Package with PSC Motors
		A	Manual temperature dial with 4-mode dial
		B	Manual temperature dial with 6-mode dial
		C	Non-programmable LCD touchpad thermostat (ELA-12690)
		D	Non-programmable LCD thermostat (ELA-8842 via dip switch)
		E	7-Day Programmable LCD Thermostat (ELA-8842)
		F	7-Day Programmable Touchscreen Thermostat (ELA-13086)
		G	Nest Thermostat (ELA-10665)
		H	Habitat Wireless Wi-Fi Thermostat with Water Leak Detector (ELA-13161)
7	WIRE WHIPS	I	Non-programmable LED touchpad thermostat (ELA-10328)
		X	Field Mounted By Others
		A	Wall Mounted with 6.5 ft Wire Whip
		B	Wall Mounted with 10 ft Wire Whip
		C	Wall Mounted with 12 ft Wire Whip
		D	Wall Mounted with 30 ft Wire Whip
		E	Wall Mounted with 50 ft Wire Whip
F	Standard 18" wire whip		
U	Unit Mounted Controls		

Item #	Matrix Name	Code String Value	Description
8	DAMPER	X	No Damper
		B	Manual Damper
		C	Motorized Damper
		D	Extra Outside Air Manual Damper
		E	Extra Outside Air Automatic Damper
		F	Motorized Damper with Outside Air Module (Xstream Air)
9	BACKUP E-HEAT	15	1.5-kW Backup Electric Heat
		20	2.0-kW Backup Electric Heat
		30	3.0-kW Backup Electric Heat
		35	3.5-kW Backup Electric Heat
		43	4.3-kW Backup Electric Heat
10	ELECTRIC CONN.	XX	No Electric Heat
		L	Line Cord (LDCI)
		J	Junction Box
		S	Power Strip
11	OITC	X	No Electrical Connection
		Y	OITC Soundshield
12	FAN CYCLE SWITCH	X	No Soundshield
		Y	Fan Cycle Switch
13	INSULATION	X	No Fan Cycle Switch
		1	Standard Insulation
14	INTAKE	2	Thick Internal Insulation (TKI)
		B	Bottom Intake (Standard)
		F	Front Intake
15	VALVE VOLTAGE	A	Front and Bottom Intake
		N	No Motorized Valve
		L	Line Voltage Motorized Valve
16	COMFORT SWITCH	2	24 VAC Motorized Valve
		Y	Comfort Switch [N/A on 07 and 09 models]
17	HYDROGUARD COATING	X	No Comfort Switch
		Y	Hydroguard Coating
18	COMPRESSOR BLANKET	X	Standard Condenser Coil
		B	Sound Attenuation Blankets
19	UNIT TYPE	X	No Sound Attenuation Blankets
		A	MERV 8 Filter
		B	MERV 12 Filter
		C	MERV 13 Filter
		W	Washable Filter
		P	Fiberglass Filter
X	No Filter		

Due to Ice Air's ongoing product development programs, the information in this document is subject to change without notice.



Limited Warranty

Twelve (12) Month Warranty of entire Packaged Terminal Equipment

Ice-Air, LLC ("Ice Air" or the "Company") warrants, solely to the person or entity that directly purchased the packaged terminal system from the Company (the "Original Owner"), that the entire packaged terminal system is free from defects in material and workmanship for a period of twelve (12) months from the date of delivery (the "Twelve Month Warranty"). Any part or portion thereof which becomes defective under normal use during the period of this warranty will be repaired or replaced, provided Ice Air's examination shall prove to its satisfaction that the part was or became defective under normal use. Ice Air's obligations under this warranty are subject to the satisfaction of the conditions set forth in the last paragraph of this Section and are limited to: (a) repairing the defective part or (b) furnishing a replacement part provided the defective part is returned to Ice Air, without shipping damage, transporting charges prepaid. No reimbursement will be made for expenses incurred in making field adjustments or replacements unless specifically authorized in writing by the Company.

Except as otherwise provided in the last sentence of this paragraph, the Company is not obligated under this warranty for field labor such as service for inspection, removing, packing and/or reinstalling water source unit, nor for the return transportation charges. In addition, the Company is not obligated under this warranty to make reimbursement of the labor or service charges of any other party. Notwithstanding the foregoing, labor provided by or at the direction of the Company during the twelve (12) month period from the date of delivery referred to in the initial paragraph above, in connection with the Twelve Month Warranty of parts provided in the initial paragraph above, is included in such warranty, solely in the case in which a packaged terminal system is sold by the Company to an Original Owner for use in a new facility to be constructed and located in the greater New York City metropolitan area. For the avoidance of doubt, except in the case described in the preceding sentence, the Company has no obligation under this warranty to provide for field labor or to make reimbursement of the labor or services charges of any other party, provided, however, that the Company, in its sole and absolute discretion, may elect to do so, so long as (i) such election is set forth in a writing signed by the Company and (ii) the facility at which the applicable packaged terminal system is or will be installed is located in the greater New York City metropolitan area (the "Metropolitan Area").

The obligations of the Company set forth in the preceding paragraphs of this Section are in all cases subject to the satisfaction of the following conditions: (x) the Company shall have received proof, satisfactory to the Company, of the purchase by the Original Owner from the Company of the packaged terminal system that is the subject of the Original Owner's claim, (y) all amounts due and payable to the Company on or prior to the date of such claim in respect of such packaged terminal system shall have been paid in full and (z) nothing shall exist or occur that relieves the Company, in accordance with the terms of this agreement, from the performance of its warranty obligations hereunder.

OPTIONAL Extended Refrigeration Circuit Warranty

2nd – 5th year compressor parts only; labor not included

The Optional Extended Refrigeration Circuit Warranty MUST be purchased from Ice Air within thirty (30) days from date of delivery to be valid. The hermetically sealed refrigeration circuit (consisting of the motor, compressor assembly, evaporator coil, coaxial / condenser coil, and interconnecting tubing) is warranted to the Original Owner for four additional years from date of the expiration of the twelve-month Warranty. Components under this warranty will be supplied at Ice Air's expense provided the failed component is returned to Ice Air. This optional warranty does not include any other parts of the equipment such as fans, fan motors, controls, cabinet parts, electrical relays, capacitors, protective devices, or wiring. Ice Air is not obligated under this warranty for field labor such as service for inspection, removing, packing, and/or reinstalling the refrigeration circuit, nor for return transportation charges. In addition, the Company is not obligated under this warranty to make reimbursement of the labor or service charges of any other party. Ice Air reserves the right to make a handling and inspection charge in the case of parts or equipment improperly returned as defective and/or as being in warranty.

To obtain assistance under the parts warranty or to purchase the optional extended warranty, simply contact Ice Air Customer Service at 80 Hartford Avenue, Mount Vernon, New York 10553 Phone 914-668-4700.

Additional warranty options include:

2nd – 5th year full unit parts only warranty

2nd – 5th year compressor parts and labor warranty, so long as such labor is performed in the NY Metropolitan Area

2nd – 5th year complete parts and labor warranty (Full unit coverage), so long as such labor is performed in the NY Metropolitan Area.

All Warranties (which must be purchased separately) constitute the Original Owner's sole remedy. They are given in lieu of all other warranties. Ice Air is not liable for incidental or consequential damages, whether the theory is breach of this or any warranty, negligence, or strict tort. No person (including any agent, salesman, dealer, or distributor) has authority to expand Ice Air's obligation beyond the terms of these express warranties, or to state that the performance of the product is other than that published by Ice Air. In addition, neither the Original Owner nor any such person has the right to sell, transfer or assign, or attempt to sell, transfer or assign, any rights of the Original Owner in or to the warranties provided for herein, no such sale, transfer or assignment shall be binding upon Ice Air and any such sale, transfer or assignment is null and void and of no force or effect.

General Conditions

The above warranties are void if Ice Air's equipment has been damaged, misused, subjected to abnormal use or service or its serial number has been altered, defaced, or removed, or payment for the equipment is in default. Ice Air is not responsible for service to correct conditions due to misapplication, faulty or improper installation, inadequate wiring, incorrect voltage conditions or unauthorized opening of the refrigeration circuit, nor for consequential damages. In case Ice Air's equipment is installed in conjunction with cabinets, grills, louvers, controls, or other parts manufactured by others, these warranties shall apply only to Ice Air's manufactured portion of the equipment. The conditions of the standard warranty plan are effective for 12 months from the date of equipment delivery. Ice Air reserves the right to make a handling and inspection charge in the case of parts or equipment improperly returned as defective and/or as being in warranty.

Important Disclaimers Ice Air Has No Responsibility For:

(A) Certain Damages

The following are the responsibility of the user. None of the following constitutes a manufacturing defect, and each is expressly excluded from the warranty plan:

- 1) Failure of unit to operate satisfactorily due to improper amount of air on evaporator coil or air supply to air cooled condensers.
- 2) Damage to unit or unsatisfactory operation due to improper cleaning of evaporator coil or use of unit in corrosive atmosphere locations such as chemical plants, refineries, or salt spray areas.
- 3) Damage to unit from unsatisfactory operation due to blown fuses, inadequate or interrupted electrical service, use of improper electrical protective devices or operation of unit on power supply other than covered by nameplate rating of unit.
- 4) Damage due to failure to properly maintain unit.
- 5) Damage due to transportation or handling prior to and during installation.
- 6) Damage due to accident or from alteration, improper installation or tampering.
- 7) Failure to clean or replace filter timely.
- 8) Misapplication of equipment.
- 9) Damage due to deviation from original design and intended use of equipment.
- 10) Damage due to use of additional accessories either unapproved or approved but modified or manipulated.

(B) Installation

Ice Air is not responsible for the design, execution, and performance of the installation method or any of the accessory items used during installation such as seals, caulking, weatherproofing, supporting structures, attachment means, louvers and frames supplied by others.

(C) Check, Test and Start

Check, Test and Start of the air conditioners by an experienced person is the responsibility of the installing contractor. This consists of physically confronting each conditioner operating in both heating and cooling modes and correcting any minor deficiencies noted. After the equipment leaves the factory, it may become damaged or maladjusted during transportation or on the job. Sometimes wires are disconnected accidentally, or fan motors move on their bases due to rough handling, causing fans to strike; a component(s) may be inoperable. The correction of such conditions is part of the Check, Test and Start. Note that unless otherwise specifically agreed to in writing, Ice Air has no obligation to perform, nor does the price of its equipment include field labor in connection with the performance of, these Check, Test, and Start procedures (or the like).



80 Hartford Avenue, Mount Vernon, NY 10553

Tel: 877-ICE-AIR-1 (877-423-2471)

Fax: 914-668-5643

email: service@ice-air.com

www.ice-air.com

© 2023 by Ice Air, LLC

ICE6149.1 11/23