

PACKAGED TERMINAL AIR CONDITIONER (PTAC) CERTIFIED DRAWING

DWG. NO. **Submittal Template RS16**
REV. -

PROJECT	DATE	BY	REVISIONS			
PURCHASER	P.O. #	QTY	DATE	BY	DESCRIPTION	
ARCHITECT	SHIP DATE	SLEEVES				
ENGINEER		HTG COIL				
HVAC CONTR.		ENCLOSURE				
GEN. CONTR.		CHASSIS				

DESIGNATION	MODEL NUMBER	QTY	ENCLOSURE (1)		SLEEVE (2)		LOUVER (3)		HTG COIL (4)		MOTORIZED VALVE		HEAT STAT		HTG COIL FRAME	
			STD	SPCL	STD	SPCL	STD	SPCL	STEAM	HOT WATER	YES	NO	YES	NO	YES	NO
A																
B																
C																
TOTAL																

GENERAL NOTES:

- ROOM ENCLOSURE IS FURNITURE TYPE PAINT-GRIP STEEL.
- WALL SLEEVE IS #18 GAUGE GALVANIZED STEEL.
- LOUVER IS EXTRUDED ALUMINUM, WITH CLEAR ANODIZED FINISH.
- IT IS RECOMMENDED THAT THE ELECTRICAL OUTLET IS INSTALLED OPPOSITE TO THE HEATING RISERS.
- N.Y.C. DEPARTMENT OF BUILDINGS ACCEPTED. MEA 250-93-E.-VOL. II
- HEATING COIL QUANTITY AND BREAKDOWN BY MECHANICAL CONTRACTOR.
- HEATING ASSY TO BE KNOCK DOWN TYPE. ASSEMBLY INSTRUCTIONS PROVIDED.
- SEE ACCOMPANYING DRAWINGS FOR UNIT CONFIGURATION.
- STANDARD ROOM COLOR ENCLOSURE TO BE "ANTIQUE WHITE"
- PROVIDE LOUVERS FOR ALL MASONRY OPENINGS. LOUVERS FOR PANEL WALL OPENINGS PROVIDED BY OTHERS.

UNIT SPECIFICATIONS+

SERIES MODEL #	5RS1613	8RS1609	8RS1613	8RS1618	7RS1609	7RS1613
COOLING CAPACITY*	12,200	9,300	12600	16,200	9,300	12,200
EER	8.35	8.95	8.25	7.7	8.95	8.4
HEATING CAPACITY (HOT WATER)**	15,500	15,500	15,500	15,500	15,500	15,500
HEATING CAPACITY (STEAM)***	18,700	18,700	18,700	18,700	18,700	18,700
ELECTRIC HEATING MAX. (KW)	1.5	4.3	4.3	4.3	3.5	3.5
VOLTAGE	115	208/230	208/230	208/230	277	277
AMPERAGE	12.7	5.0	7.3	10.1	3.8	5.2
WATTS	1,461	1,039	1,527	2,104	1,039	1,452
COOLING HIGH (CFM)	430	400	430	450	400	430
COOLING LOW (CFM)	350	340	350	360	340	350
HEATING (CFM)	240	230	240	250	230	240
CFM OUTSIDE AIR	60	60	60	60	60	60
WEIGHT NET/SHIP	121/138	117/133	121/138	141/157	117/133	121/138

CUSTOM NOTES:

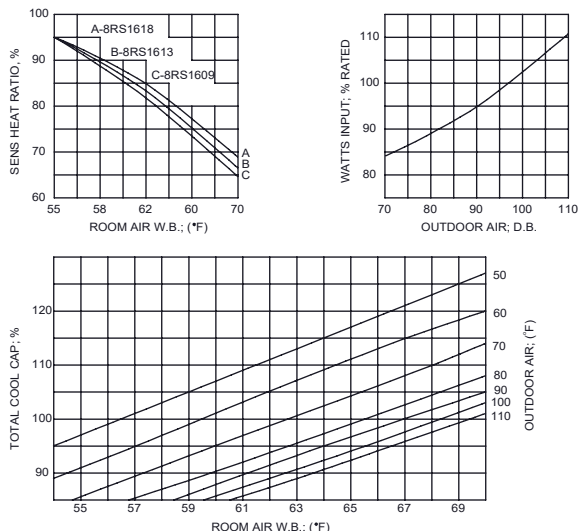
1:

SPECIFICATION NOTES:

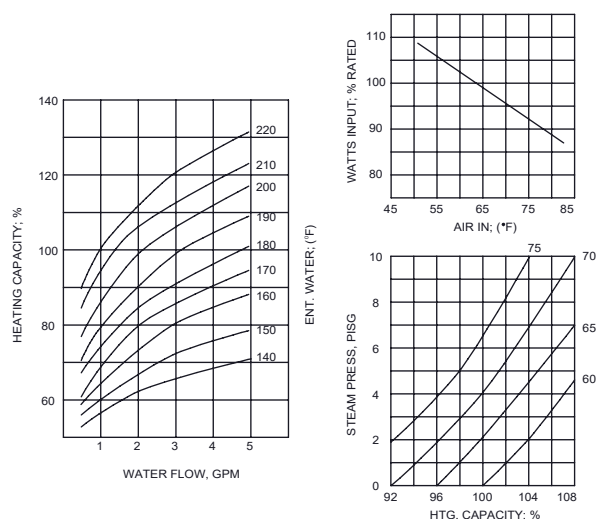
- * = BTUH @ 80°F. DB/67°F. WB INDOORS; 95°F. DB OUTDOORS.
- ** = BTUH @ 200°F. E.W.T.; 65°F. E.A.T. & 2 G.P.M. FLOW RATE.
- *** = BTUH @ 2 PSIG STEAM & 65°F. E.A.T.
- FOR CAPACITIES AT CONDITIONS OTHER THAN THOSE SHOWN IN NOTES 1-3 ABOVE USE GRAPHICS BELOW.

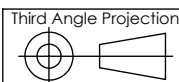
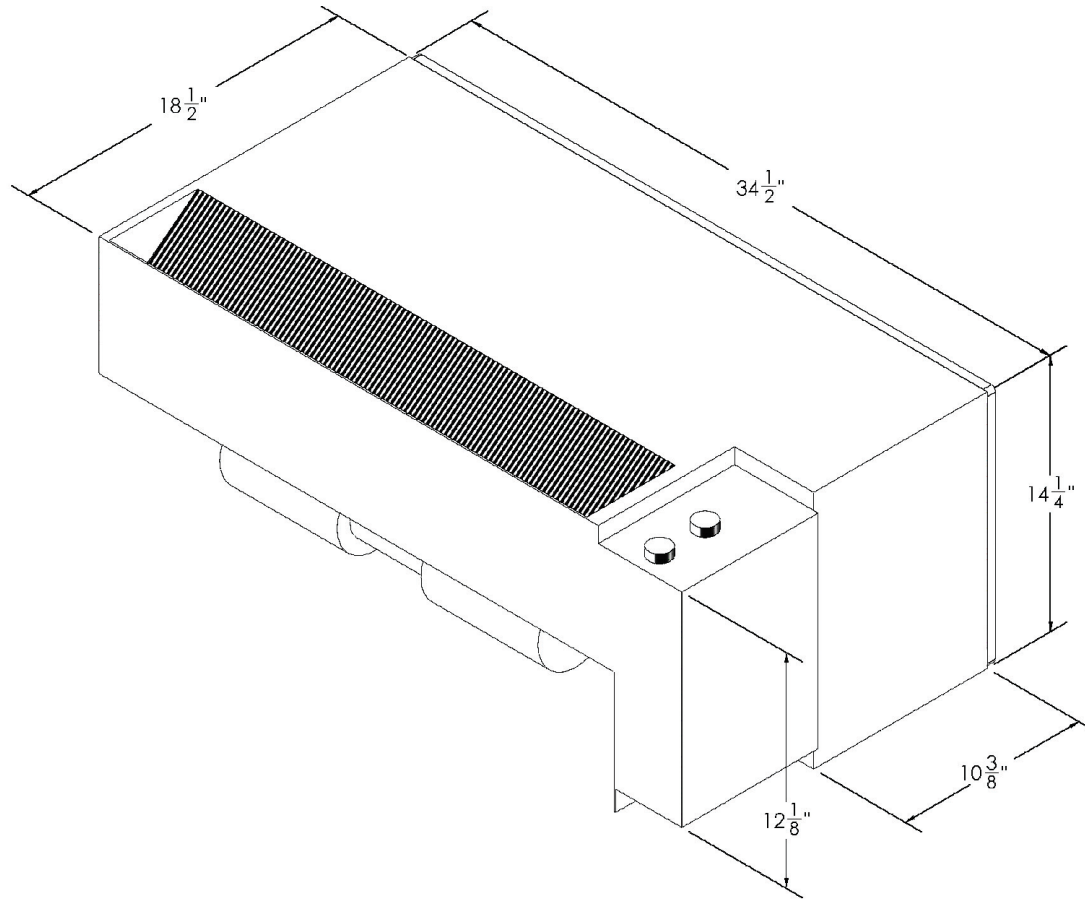
PERFORMANCE DATA

COOLING CAPACITY CORRECTION FACTORS



HEATING CAPACITY CORRECTION FACTORS





PROPRIETARY AND CONFIDENTIAL
 This drawing is the intellectual property of Ice Air, LLC and consists of confidential data belonging solely to Ice Air, LLC. The sharing of this data with you does not constitute a license to share this data with any third party, which is strictly prohibited without Ice Air's prior written consent.

MATERIAL:	ICE-AIR LLC. 80 HARTFORD AVENUE MOUNT VERNON, NY 10553		
WEIGHT (LBS):			
FINISH:	TITLE: RS 16 DWG		
UNLESS OTHERWISE SPECIFIED: DIMENSIONS ARE IN INCHES TOLERANCES: FRACTIONAL ± 1/32 ANGULAR: MACH ± ° BEND ± 1° TWO PLACE DECIMAL ± .03 THREE PLACE DECIMAL ± .015	MODEL BY: JL	DATE: 2/20/19	DWG. NO. RS16 DWG
	DRAWING BY: -	DATE: -	
A	SCALE: NONE DO NOT SCALE DRAWING		SHEET 1 OF 1
			REV